

- D** Flügeltoradapter
- F** Bras Adaptateur pour 2 Vantaux
- GB** Wing Door Adapter
- NL** Vleugeldeuraccessoire

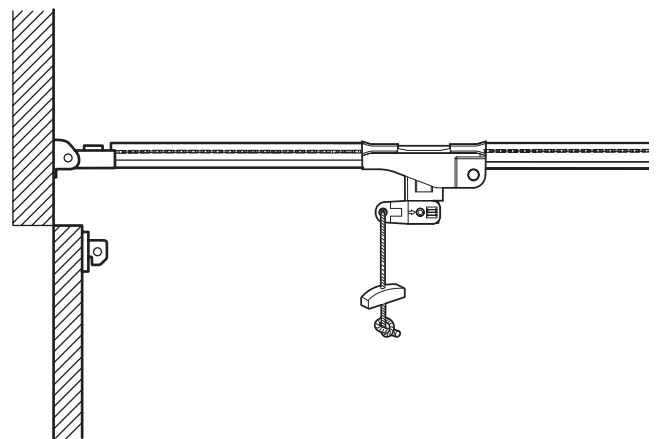
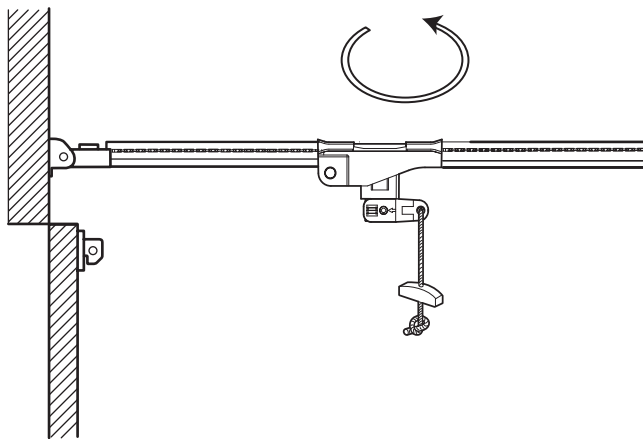
Modell

Modèle

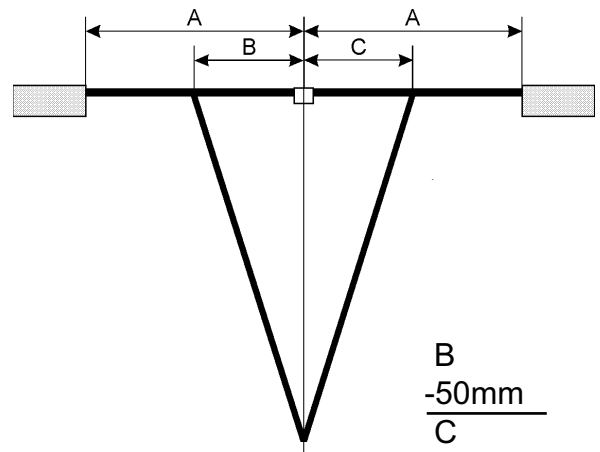
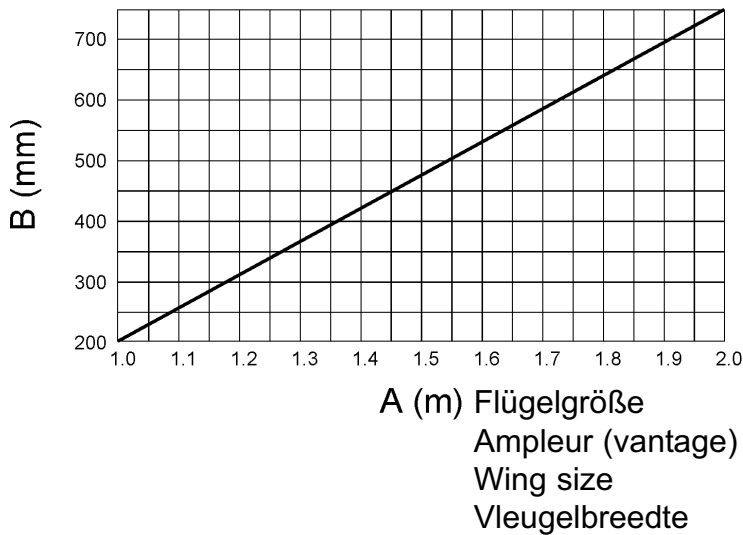
Model

Model

## SDA-1LM



Original → SDA-1LM



Chamberlain GmbH  
Alfred-Nobel-Str. 4  
66793 Saarwellingen  
Tel.: 06838/9070  
Fax.: 06838/907-179

Chamberlain Australia Pty Ltd.  
7-9 Orion Rd  
NSW 2066  
Phone: 1800 638 234  
Fax: 1800 888 121

New Zealand  
Phone: 09 415 4393  
Fax: 0800 653 663